

Sodick + System 3R tooling

Ledger for Reference elements and 3Rulers

Older machines



This ledger is only to guide suitable length of reference elements and 3Ruler for specific machine model. Contents for 3Rulers and/or reference elements, see also TPS-sheets covering the range of 3R-200.yyJ-x, 3R-239-xxx and accessories.

Sodick

Model	Tooling configuration for X-axis		Tooling configuration for Y-axis		MIC-xxxx	
	Ref. element	3R-239-xxx	Ref. element	3R-239-xxx		
AG400L (Asian)	3R-200.29J-1	445	3R-200.6J-1	N.a.	2882	Page: 3
AG400L (European)	3R-200.29J-1	445	3R-200.6J-1	N.a.	2883	Page: 4
AG600L (Asian)	3R-200.4J-1	645	3R-200.3J-1 + 3R-200.4J-1	N.a.	2884	Page: 5
AG600L (European)	3R-200.4J-1	645	3R-200.3J-1 + 3R-200.4J-1	N.a.	2885	Page: 6
AP250L (yr. 2001-)	3R-200.29J-11	295	-	N.a.	N.a.	
AP450L (yr. 2001-)	3R-200.29J-11	495	3R-200.29J-11	N.a.	N.a.	
AQ300	3R-200.2J-1	345	3R-200.4J-1	N.a.	2936	Page: 7
AQ325L (yr. 2001-)	3R-200.39J-12	395	3R-200.39J-12	N.a.	2937	Page: 8
AQ327L	3R-200.3J-1	415	3R-200.4J-1	N.a.	2938	Page: 9
AQ360L	3R-200.3J-1	405**	3R-200.29J-1	N.a.	2939	Page: 10
AQ400L	3R-200.3J-1	445	3R-200.4J-1	N.a.	2880	Page: 11
AQ535L (yr. 2001-)	3R-200.39J-12	595	3R-200.39J-12	N.a.	2945	Page: 12
AQ537L	3R-200.4J-1	615	3R-200.3J-1	N.a.	2940	Page: 13
AQ560L	3R-200.4J-1	605***	3R-200.3J-1	N.a.	2941	Page: 14
AQ600L	3R-200.47J-2	645	3R-200.3J-1	N.a.	2879	Page: 15
SL400G	3R-200.29J-1	445	3R-200.6J-1	N.a.	2949	Page: 16
SL400Q	3R-200.29J-1	445	3R-200.6J-1	N.a.	2949	Page: 16
SL600G	3R-200.4J-1	645.86	3R-200.3J-1 + 3R-200.4J-1	N.a.	2950	Page: 17
SL600P	3R-200.4J-1	645.86	3R-200.3J-1 + 3R-200.4J-1	N.a.	2950	Page: 17
SL600Q	3R-200.4J-1	645.86	3R-200.3J-1 + 3R-200.4J-1	N.a.	2950	Page: 17
SLC400G	3R-200.29J-1	445	3R-200.6J-1	N.a.	2949	Page: 16
SLC600G	3R-200.4J-1	645.86	3R-200.3J-1 + 3R-200.4J-1	N.a.	2950	Page: 17
VZ300L	3R-200.24J-2	415	3R-200.47J-2	N.a.	2874	Page: 18
VZ500L	3R-200.39J-2	565	3R-200.3J-2 + 3R-200.29J-2	N.a.	2875	Page: 19

** 3Ruler is supplied by article no.: K-30674

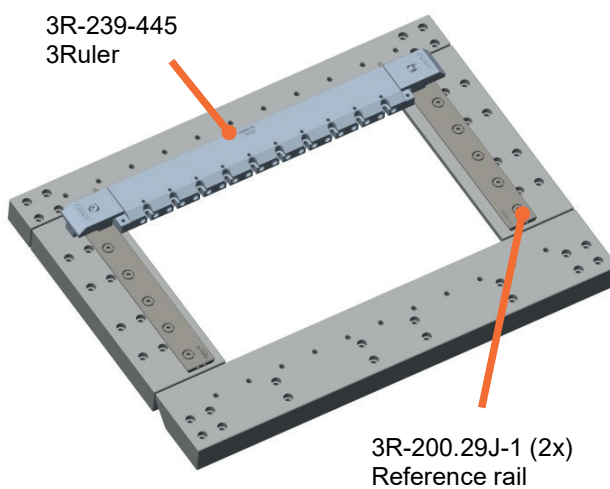
*** 3Ruler is supplied by article no.: K-30681

MIC – Machine Interface Configuration

April 17, 2019

Subject to modifications
MIC-2882

Sodick – AG400L (Asian version)



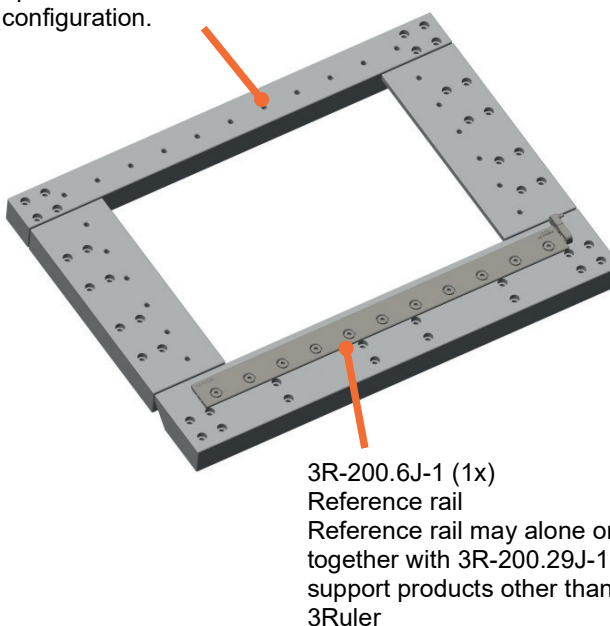
Machine table without tooling
Working area:
X: 400 mm
Y: 280 mm

Horizontal configuration

This configuration display one 3Ruler, but two cross bars may be used.

Working area:
X: 400 mm
Y: 232 mm

Design of table, does not allow reference rail opposite of operator nor 3Ruler for vertical configuration.



Vertical configuration

The table does not support 3Ruler.

Working area:
X: 400 mm
Y: 280 mm

See also TPS-sheet "3R-239-xxx" covering 3Ruler and recommended accessories.

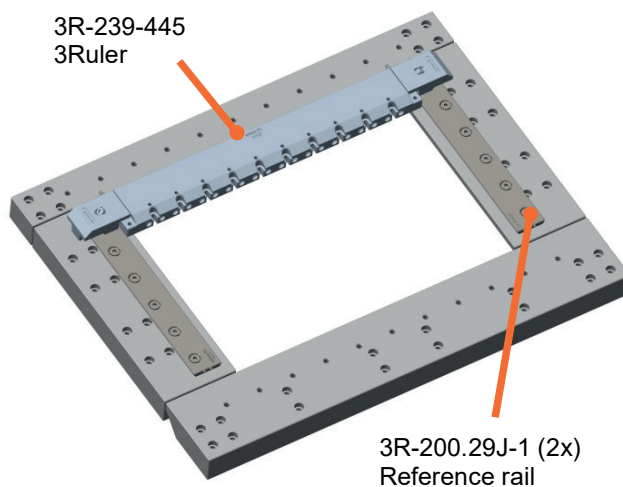
Note: The reference rail also enables the use of other products like: 3R-218-S, 3R-243.2-1 or 3R-272HP.

MIC – Machine Interface Configuration

April 17, 2019

Subject to modifications
MIC-2883

Sodick – AG400L (European version)



Machine table without tooling

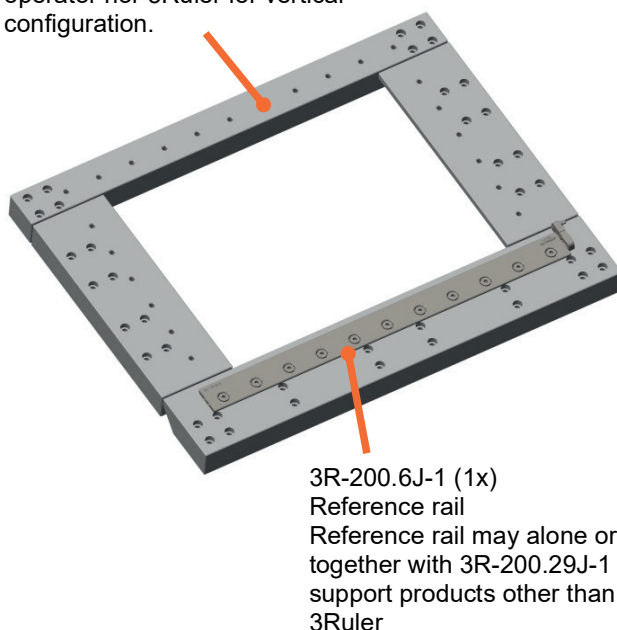
Working area:
X: 400 mm
Y: 300 mm

Horizontal configuration

This configuration display one 3Ruler, but two cross bars may be used.

Working area:
X: 400 mm
Y: 242 mm

Design of table, does not allow reference rail opposite of operator nor 3Ruler for vertical configuration.



Vertical configuration

The table does not support 3Ruler.

Working area:
X: 400 mm
Y: 300 mm

See also TPS-sheet "3R-239-xxx" covering 3Ruler and recommended accessories.

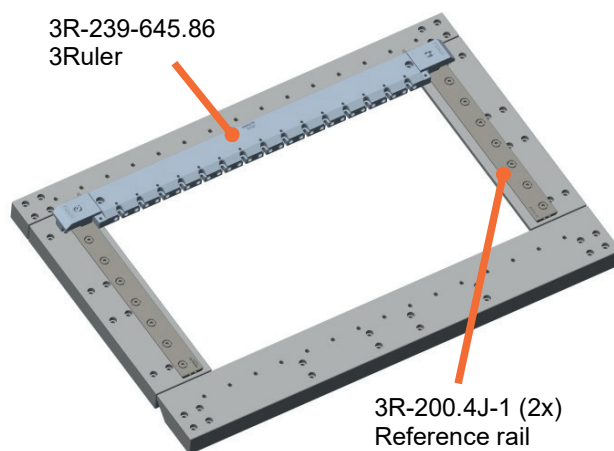
Note: The reference rail also enables the use of other products like: 3R-218-S, 3R-243.2-1 or 3R-272HP.

MIC – Machine Interface Configuration

April 17, 2019

Subject to modifications
MIC-2884

Sodick – AG600L (Asian version)



Machine table without tooling

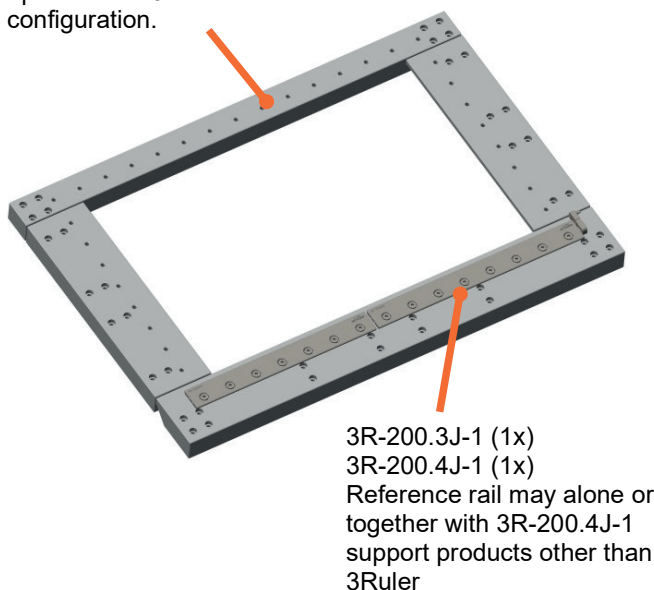
Working area:
X: 600 mm
Y: 380 mm

Horizontal configuration

This configuration display one 3Ruler, but two cross bars may be used.

Working area:
X: 600 mm
Y: 332 mm

Design of table, does not allow reference rail opposite of operator nor 3Ruler for vertical configuration.



Vertical configuration

The table does not support 3Ruler.

Working area:
X: 600 mm
Y: 380 mm

See also TPS-sheet "3R-239-xxx" covering 3Ruler and recommended accessories.

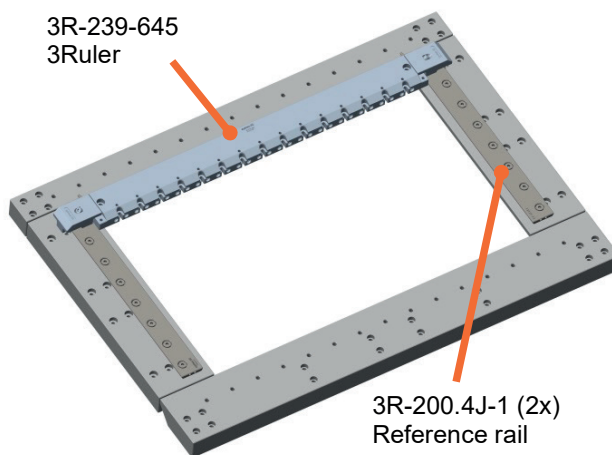
Note: The reference rail also enables the use of other products like: 3R-218-S, 3R-243.2-1 or 3R-272HP.

MIC – Machine Interface Configuration

April 17, 2019

Subject to modifications
MIC-2885

Sodick – AG600L (European version)



Machine table without tooling

Working area:

X: 600 mm

Y: 400 mm

Horizontal configuration

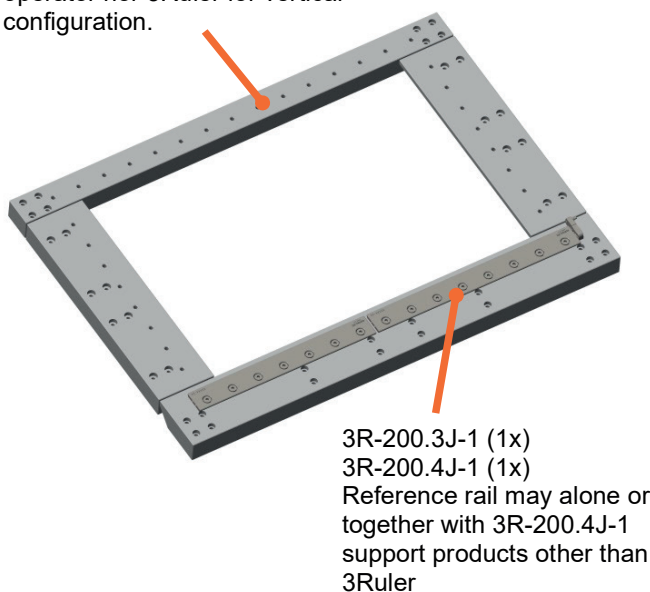
This configuration display one 3Ruler, but two cross bars may be used.

Working area:

X: 600 mm

Y: 342 mm

Design of table, does not allow reference rail opposite of operator nor 3Ruler for vertical configuration.



Vertical configuration

The table does not support 3Ruler.

Working area:

X: 600 mm

Y: 400 mm

See also TPS-sheet "3R-239-xxx" covering 3Ruler and recommended accessories.

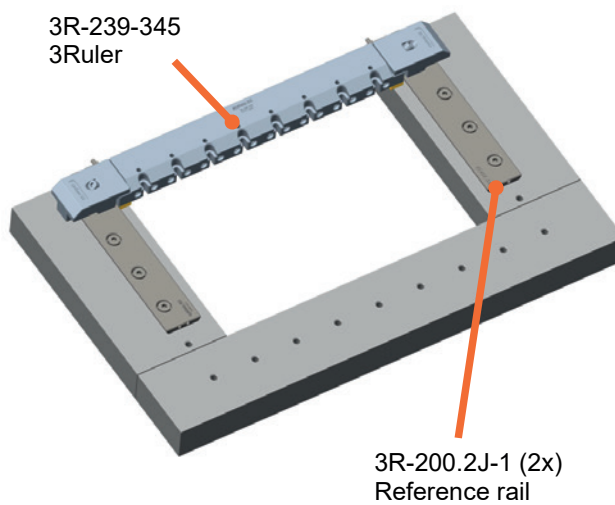
Note: The reference rail also enables the use of other products like: 3R-218-S, 3R-243.2-1 or 3R-272HP.

MIC – Machine Interface Configuration

February 12, 2021

Subject to modifications
MIC-2936

Sodick – AQ300



Machine table without tooling

Working area:

X: 300 mm

Y: 200 mm

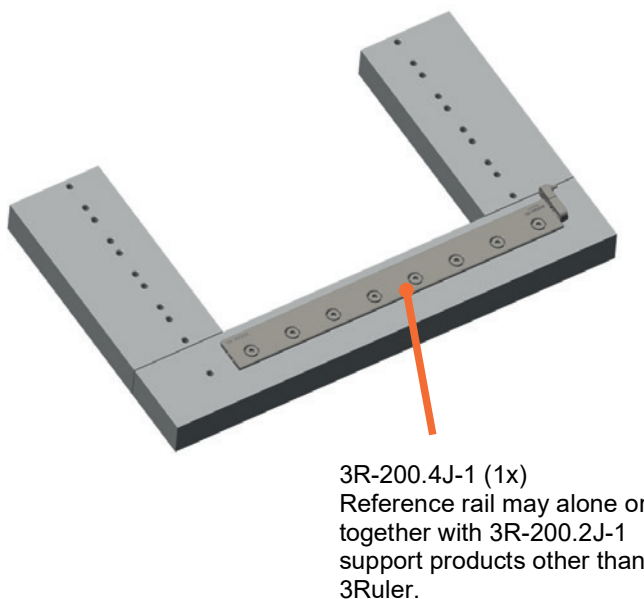
Horizontal configuration

This configuration display one 3Ruler, but two cross bars may be used.

Working area:

X: 300 mm

Y: 184 mm



Vertical configuration

The table does not support 3Ruler.

Working area:

X: 300 mm

Y: 200 mm

See also TPS-sheet "3R-239-xxx" covering 3Ruler and recommended accessories.

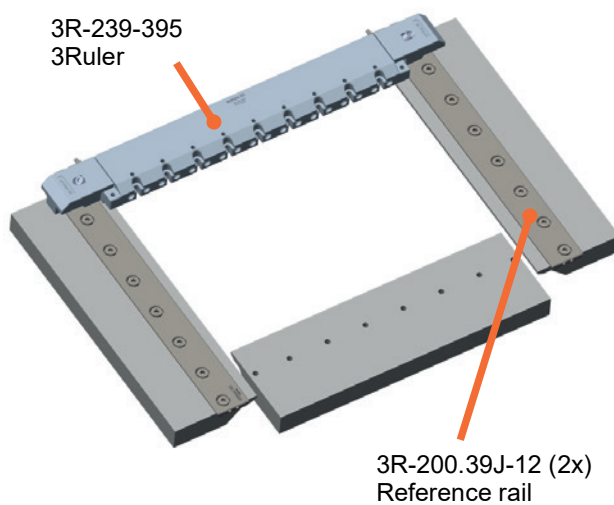
Note: The reference rail also enables the use of other products like: 3R-218-S, 3R-243.2-1 or 3R-272HP.

MIC – Machine Interface Configuration

March 15, 2021

Subject to modifications
MIC-2937

Sodick – AQ325L (yr 2001-)



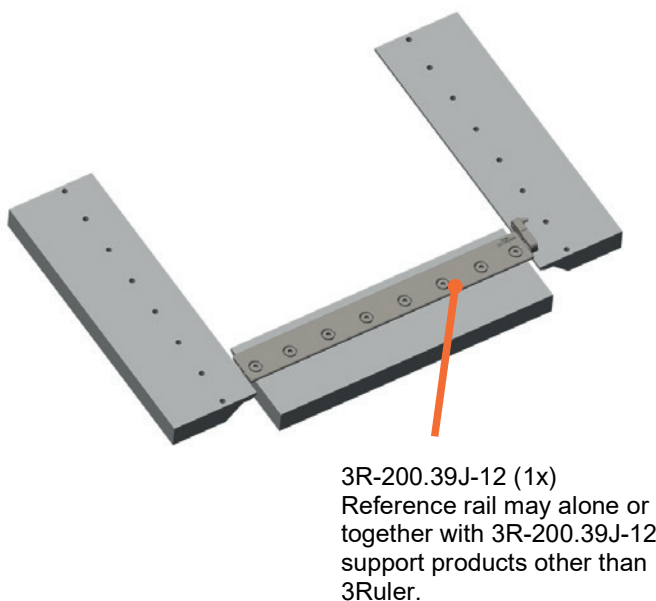
Machine table without tooling

Working area:
X: 350 mm
Y: 250 mm

Horizontal configuration

This configuration display one 3Ruler,
but two cross bars may be used.

Working area:
X: 350 mm
Y: 225 mm



Vertical configuration

The table does not support 3Ruler.

Working area:
X: 350 mm
Y: 250 mm

See also TPS-sheet "3R-239-xxx" covering
3Ruler and recommended accessories.

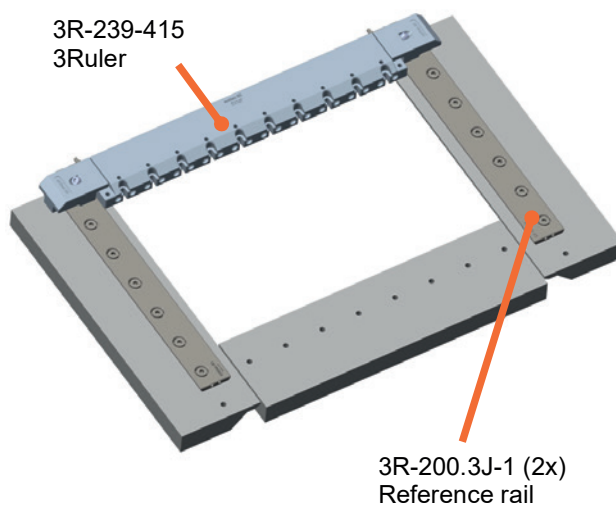
Note: The reference rail also enables the
use of other products like: 3R-218-S,
3R-243.2-1 or 3R-272HP.

MIC – Machine Interface Configuration

February 12, 2021

Subject to modifications
MIC-2938

Sodick – AQ327L



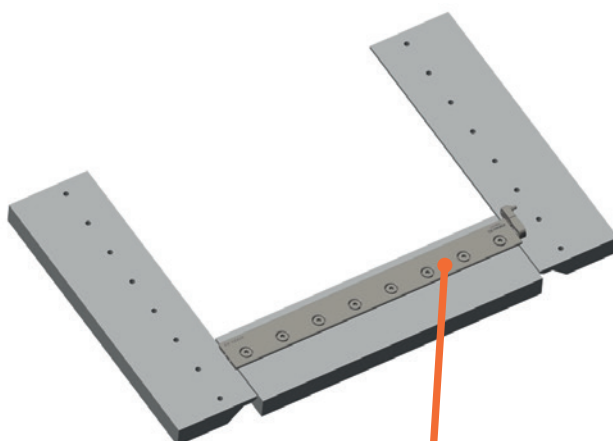
Machine table without tooling

Working area:
X: 370 mm
Y: 270 mm

Horizontal configuration

This configuration display one 3Ruler, but two cross bars may be used.

Working area:
X: 370 mm
Y: 222 mm



Vertical configuration

The table does not support 3Ruler.

Working area:
X: 370 mm
Y: 270 mm

See also TPS-sheet "3R-239-xxx" covering 3Ruler and recommended accessories.

Note: The reference rail also enables the use of other products like: 3R-218-S, 3R-243.2-1 or 3R-272HP.

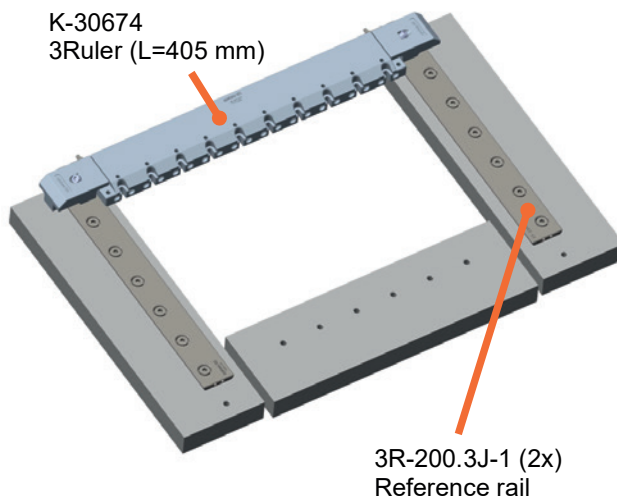
System 3R

MIC – Machine Interface Configuration

February 12, 2021

Subject to modifications
MIC-2939

Sodick – AQ360L



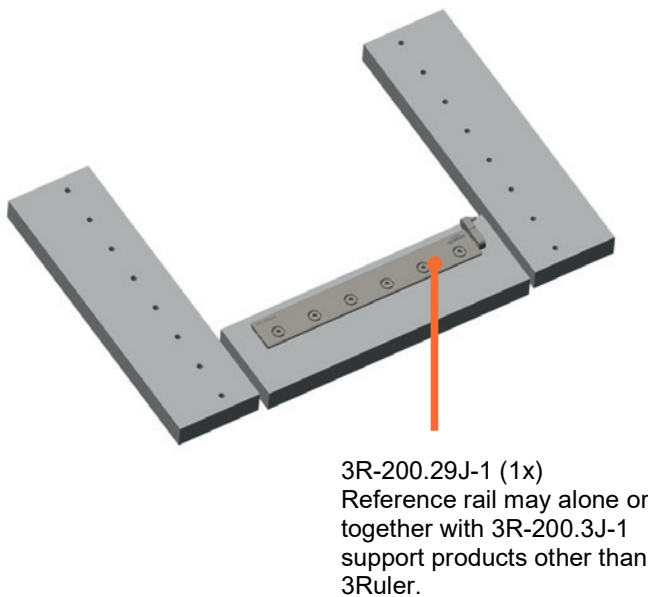
Machine table without tooling

Working area:
X: 360 mm
Y: 250 mm

Horizontal configuration

This configuration display one 3Ruler, but two cross bars may be used.

Working area:
X: 360 mm
Y: 217 mm



Vertical configuration

The table does not support 3Ruler.

Working area:
X: 360 mm
Y: 250 mm

See also TPS-sheet "3R-239-xxx" covering 3Ruler and recommended accessories.

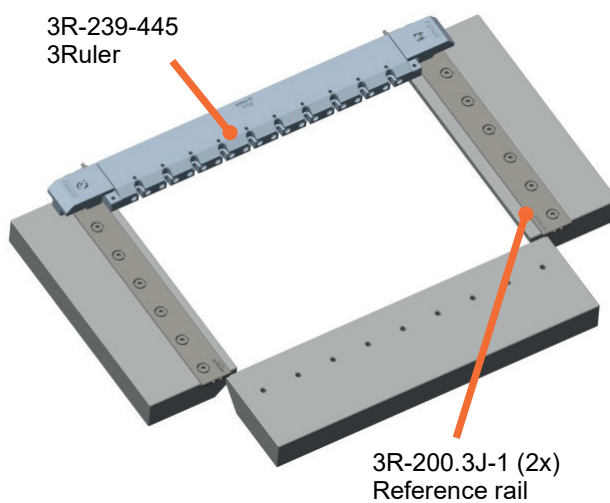
Note: The reference rail also enables the use of other products like: 3R-218-S, 3R-243.2-1 or 3R-272HP.

MIC – Machine Interface Configuration

April 10, 2019

Subject to modifications
MIC-2880

Sodick – AQ400L



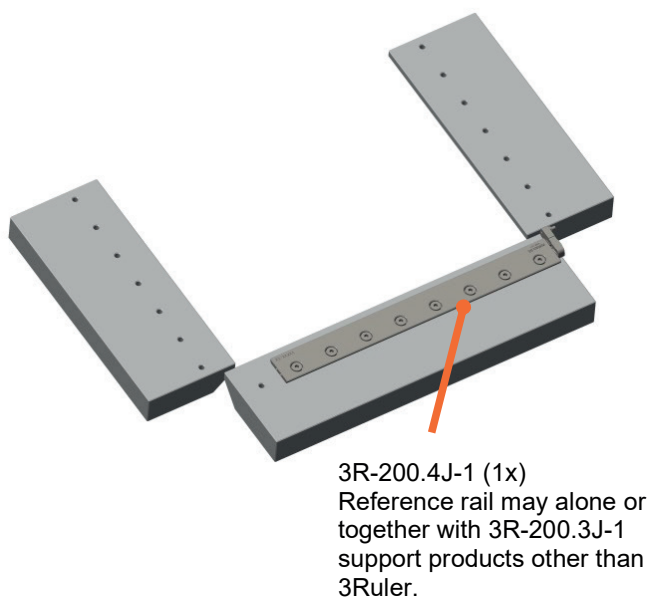
Machine table without tooling

Working area:
X: 400 mm
Y: 300 mm

Horizontal configuration

This configuration display one 3Ruler, but two cross bars may be used.

Working area:
X: 400 mm
Y: 282 mm



Vertical configuration

The table does not support 3Ruler.

Working area:
X: 400 mm
Y: 300 mm

See also TPS-sheet "3R-239-xxx" covering 3Ruler and recommended accessories.

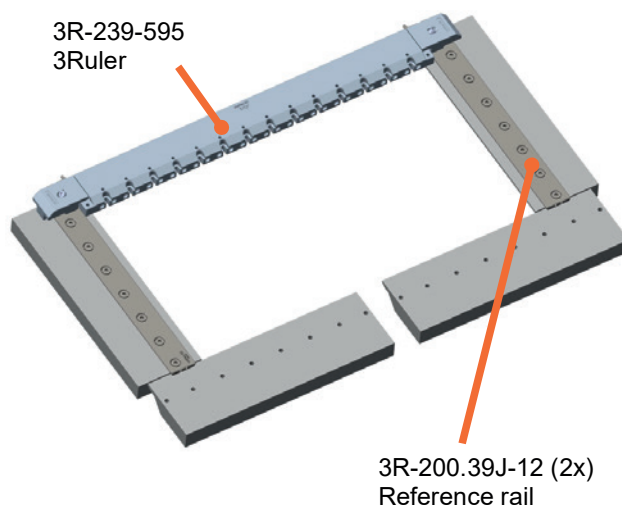
Note: The reference rail also enables the use of other products like: 3R-218-S, 3R-243.2-1 or 3R-272HP.

MIC – Machine Interface Configuration

March 15, 2021

Subject to modifications
MIC-2945

Sodick – AQ535L (yr 2001-)



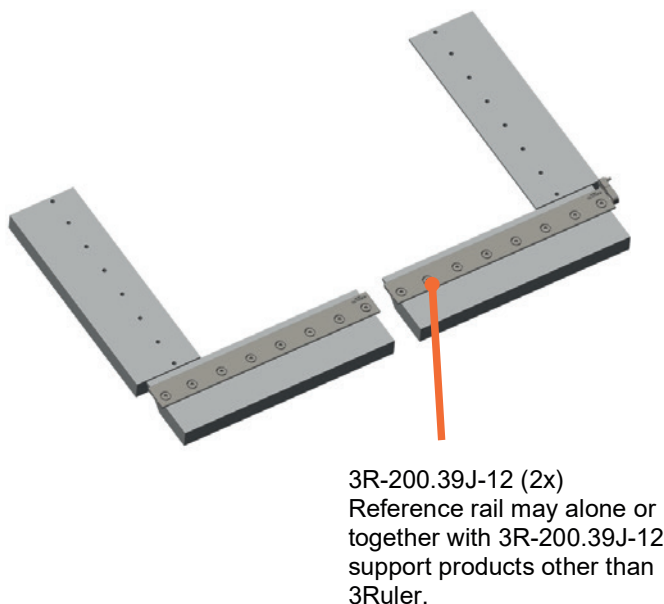
Machine table without tooling

Working area:
X: 550 mm
Y: 350 mm

Horizontal configuration

This configuration display one 3Ruler, but two cross bars may be used.

Working area:
X: 550 mm
Y: 295 mm



Vertical configuration

The table does not support 3Ruler.

Working area:
X: 550 mm
Y: 350 mm

See also TPS-sheet “3R-239-xxx” covering 3Ruler and recommended accessories.

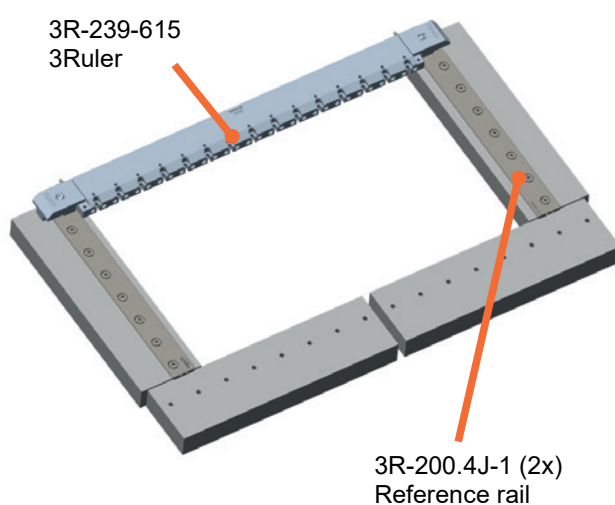
Note: The reference rail also enables the use of other products like: 3R-218-S, 3R-243.2-1 or 3R-272HP.

MIC – Machine Interface Configuration

February 12, 2021

Subject to modifications
MIC-2940

Sodick – AQ537L



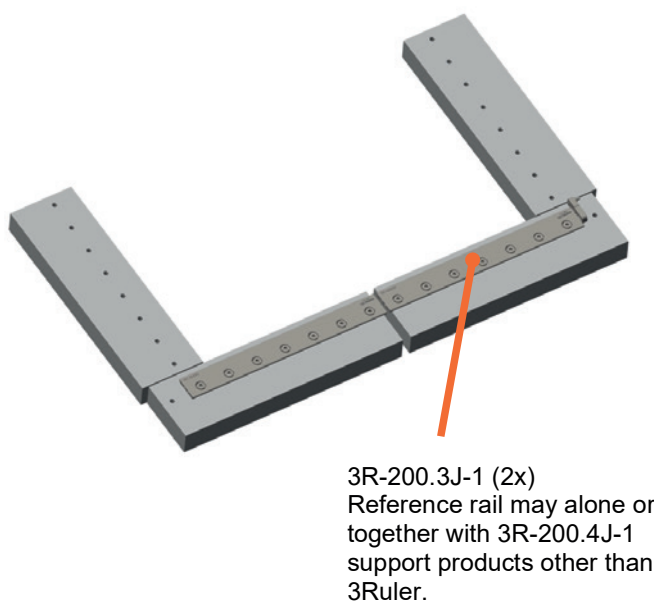
Machine table without tooling

Working area:
X: 570 mm
Y: 370 mm

Horizontal configuration

This configuration display one 3Ruler,
but two cross bars may be used.

Working area:
X: 570 mm
Y: 322 mm



Vertical configuration

The table does not support 3Ruler.

Working area:
X: 570 mm
Y: 370 mm

See also TPS-sheet “3R-239-xxx” covering
3Ruler and recommended accessories.

Note: The reference rail also enables the
use of other products like: 3R-218-S,
3R-243.2-1 or 3R-272HP.

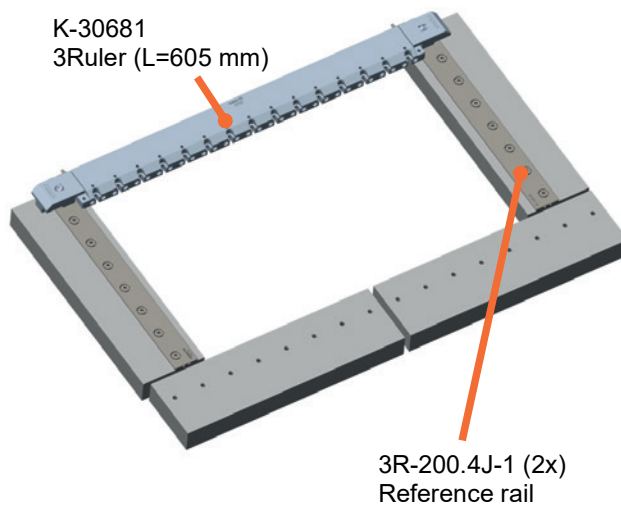
System 3R

MIC – Machine Interface Configuration

February 12, 2021

Subject to modifications
MIC-2941

Sodick – AQ560L



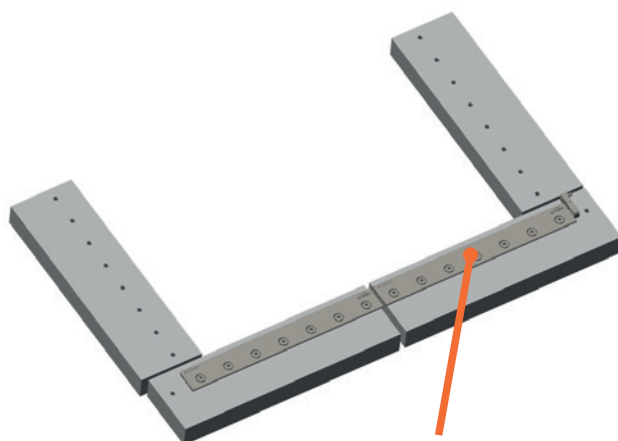
Machine table without tooling

Working area:
X: 560 mm
Y: 450 mm

Horizontal configuration

This configuration display one 3Ruler, but two cross bars may be used.

Working area:
X: 560 mm
Y: 327 mm



Vertical configuration

The table does not support 3Ruler.

Working area:
X: 560 mm
Y: 450 mm

See also TPS-sheet “3R-239-xxx” covering 3Ruler and recommended accessories.

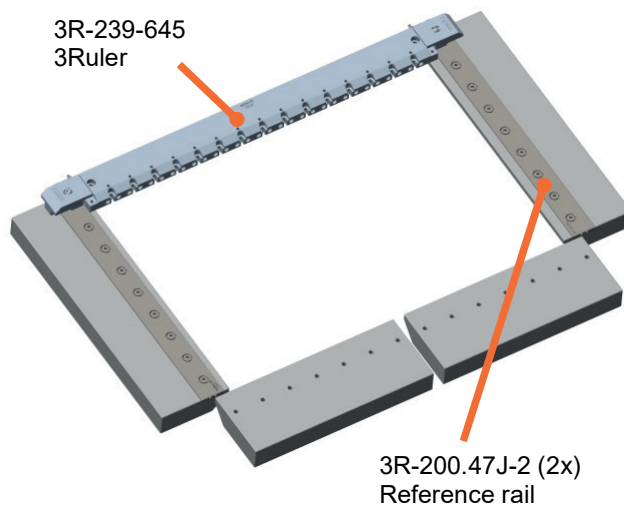
Note: The reference rail also enables the use of other products like: 3R-218-S, 3R-243.2-1 or 3R-272HP.

MIC – Machine Interface Configuration

April 10, 2019

Subject to modifications
MIC-2879

Sodick – AQ600L



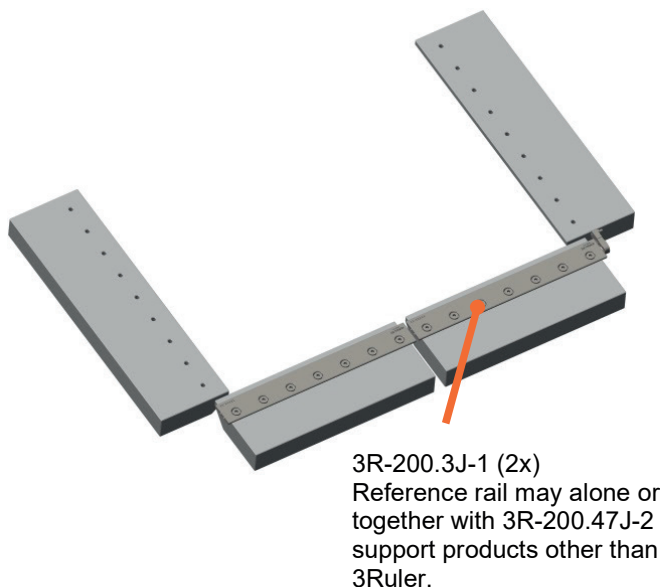
Machine table without tooling

Working area:
X: 600 mm
Y: 400 mm

Horizontal configuration

This configuration display one 3Ruler, but two cross bars may be used.

Working area:
X: 600 mm
Y: 400 mm



Vertical configuration

The table does not support 3Ruler.

Working area:
X: 600 mm
Y: 400 mm

See also TPS-sheet “3R-239-xxx” covering 3Ruler and recommended accessories.

Note: The reference rail also enables the use of other products like: 3R-218-S, 3R-243.2-1 or 3R-272HP.

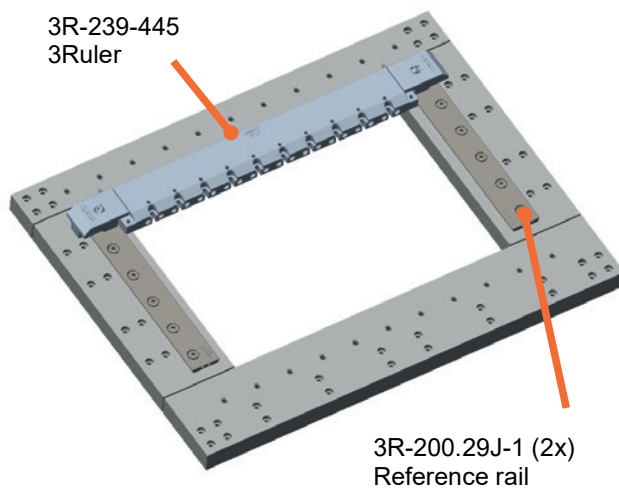
System 3R

MIC – Machine Interface Configuration

March 18, 2021

Subject to modifications
MIC-2949

Sodick – SL400G, SL400Q, SLC400G



Machine table without tooling

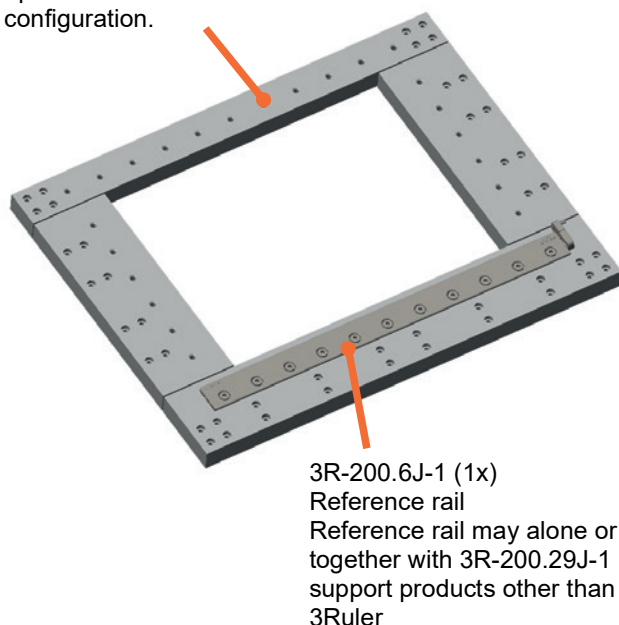
Working area:
X: 400 mm
Y: 300 mm

Horizontal configuration

This configuration display one 3Ruler, but two cross bars may be used.

Working area:
X: 400 mm
Y: 242 mm

Design of table, does not allow reference rail opposite of operator nor 3Ruler for vertical configuration.



Vertical configuration

The table does not support 3Ruler.

Working area:
X: 400 mm
Y: 300 mm

See also TPS-sheet “3R-239-xxx” covering 3Ruler and recommended accessories.

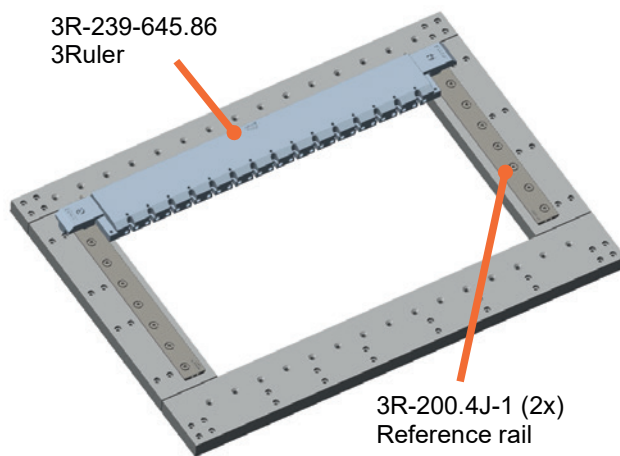
Note: The reference rail also enables the use of other products like: 3R-218-S, 3R-243.2-1 or 3R-272HP.

MIC – Machine Interface Configuration

March 18, 2021

Subject to modifications
MIC-2950

Sodick – SL600G, SL600P, SL600Q, SLC600G



Machine table without tooling

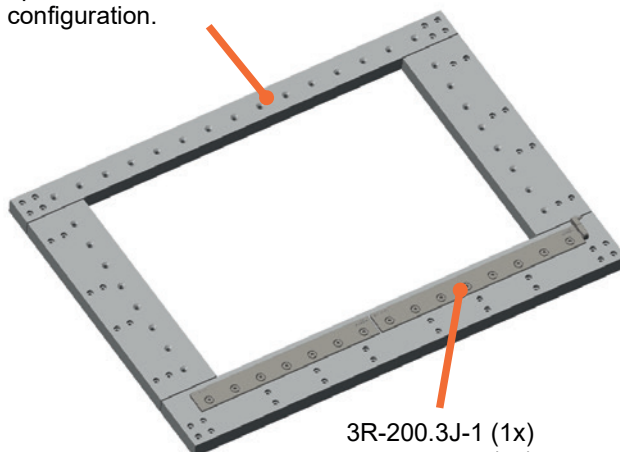
Working area:
X: 600 mm
Y: 400 mm

Horizontal configuration

This configuration display one 3Ruler, but two cross bars may be used.

Working area:
X: 600 mm
Y: 316 mm

Design of table, does not allow reference rail opposite of operator nor 3Ruler for vertical configuration.



3R-200.3J-1 (1x)
3R-200.4J-1 (1x)
Reference rail may alone or together with 3R-200.4J-1 support products other than 3Ruler

Vertical configuration

The table does not support 3Ruler.

Working area:
X: 600 mm
Y: 400 mm

See also TPS-sheet "3R-239-xxx" covering 3Ruler and recommended accessories.

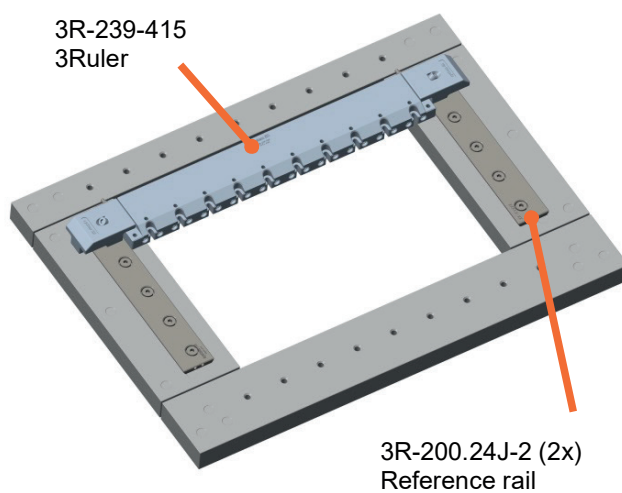
Note: The reference rail also enables the use of other products like: 3R-218-S, 3R-243.2-1 or 3R-272HP.

MIC – Machine Interface Configuration

March 20, 2019

Subject to modifications
MIC-2874

Sodick – VZ300L



Machine table without tooling

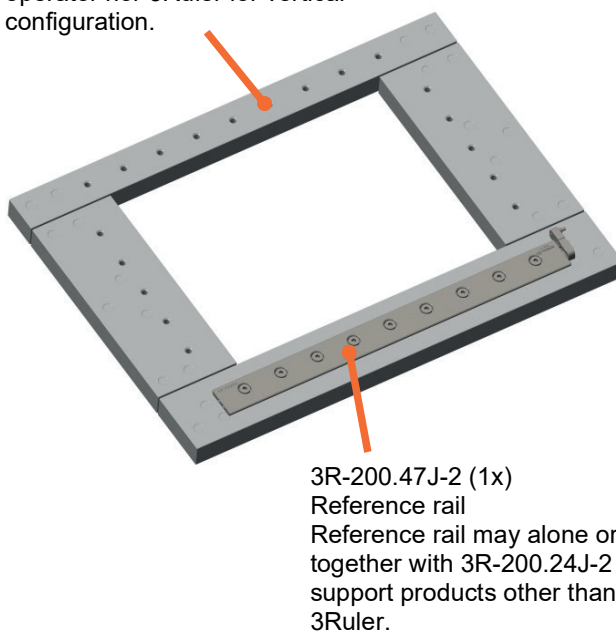
Working area:
X: 350 mm
Y: 250 mm

Horizontal configuration

This configuration display one 3Ruler, but two cross bars may be used.

Working area:
X: 350 mm
Y: 197 mm

Design of table, does not allow reference rail opposite of operator nor 3Ruler for vertical configuration.



Vertical configuration

The table does not support 3Ruler.

Working area:
X: 350 mm
Y: 250 mm

See also TPS-sheet "3R-239-xxx" covering 3Ruler and recommended accessories.

Note: The reference rail also enables the use of other products like: 3R-218-S, 3R-243.2-1 or 3R-272HP.

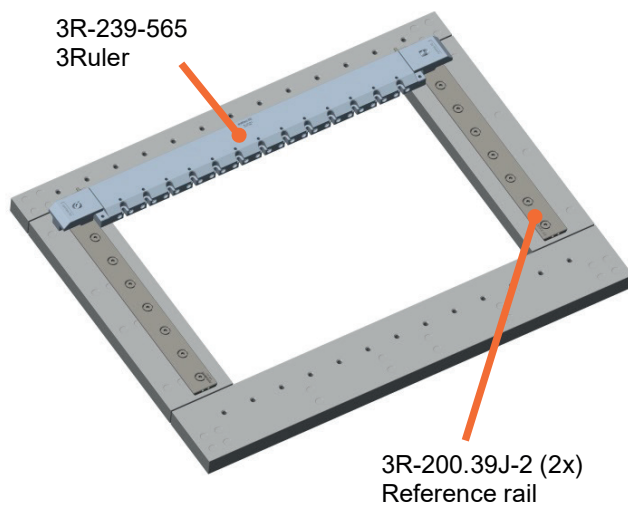
System 3R

MIC – Machine Interface Configuration

March 20, 2019

Subject to modifications
MIC-2875

Sodick – VZ500L



Machine table without tooling

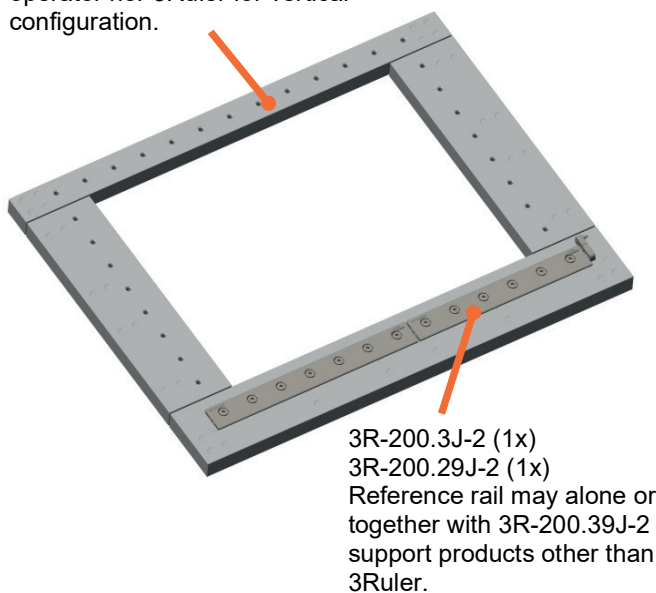
Working area:
X: 500 mm
Y: 350 mm

Horizontal configuration

This configuration display one 3Ruler, but two cross bars may be used.

Working area:
X: 500 mm
Y: 333 mm

Design of table, does not allow reference rail opposite of operator nor 3Ruler for vertical configuration.



Vertical configuration

The table does not support 3Ruler.

Working area:
X: 500 mm
Y: 350 mm

See also TPS-sheet "3R-239-xxx" covering 3Ruler and recommended accessories.

Note: The reference rail also enables the use of other products like: 3R-218-S, 3R-243.2-1 or 3R-272HP.

